



# T5001 Series

CO<sub>2</sub> OPERATED BAG-IN-BOX PUMP  
EU FOOD DIRECTIVE 1935/2004/EC



## Superior performance and reliability

Flojet's New T5001 Series air operated diaphragm pump provides superior performance and reliability for dispensing bag-in-box syrups, juice concentrate, teas, wines and liquor.



Engineered for ultimate performance and reliability, Flojet's T5001 Series air operated diaphragm pump provides excellent chemical resistance for a wide variety of syrups and concentrates.

Flojet's rigorously tested, customer-inspired design features have extended the pump's service life to 50,000 gallons (140,000 liters).

### Dispensing Beverages For Over 25 Years

- Flojet's air operated pumps are serving over 2 billion fountain drinks.
- Flojet is the bag-in-box industry standard for air-operated pumps.
- Backed by the Flojet brand of air-operated diaphragm pump technology, a brand enjoying over 25 years of operational excellence.
- Providing efficient fluid handing solutions to the two largest water users in world.

**FLOJET**  
a xylem brand



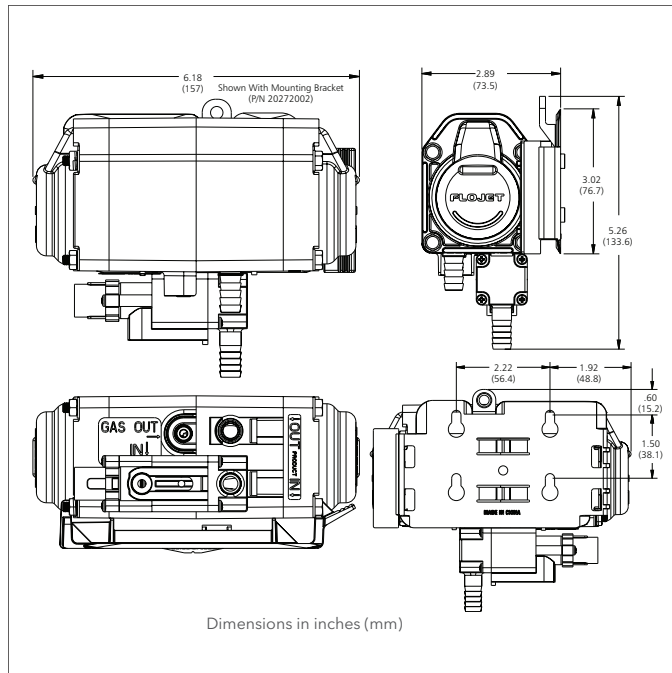
## Applications

- Designed for dispensing bag-in-box syrups, juice concentrate (without pulp or particulates), teas, wines and liquor
- Supplies the following from remote location:
  - Four (4) 3.0oz (89ml) valves<sup>1</sup> or
  - Two (2) 4.5oz (133ml) valves<sup>2</sup>

<sup>1</sup> Each valve dispenses syrup at 0.50oz/sec

<sup>2</sup> Each valve dispenses syrup at 0.75oz/sec

## Dimensional Drawing

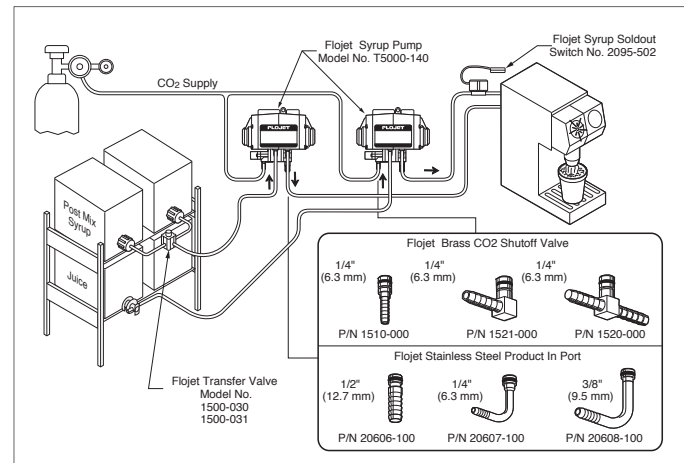


New Model No.	Product Inlet Fitting	Product Outlet Fitting	CO <sub>2</sub> Gas Fitting
T5001-130	3/8"	3/8"	1/4"
T5001-140	3/8"	1/4"	1/4"

## Specifications

Pump Design	Positive Displacement, Double Diaphragm
Power Source	CO <sub>2</sub> Gas, Nitrogen or Compressed Filtered Air
Materials of Construction (Wetted Parts)	Polypropylene, Santoprene®, EPDM, 302 or 304 Stainless Steel Spring
Temperature Limits	34° - 120°F (1.1° - 49°C)
Weight	1.19lbs (0.54kg)
Dimensions	5.26" H x 6.18" W x 2.89" D (133.6mm x 156.8mm x 73.5mm)
Displacement:	2.5oz per cycle
Self Priming	Up to 10ft (3.05m)
Operating Pressure	20 psi (1.4 bar) min / 80 psi (5.5 bar) max
Flow Rate	4.0oz (118.3ml)/sec - Open Flow
Approvals	CE, NSF Standard 18, EU Food Directive 1935/2004/EC
Warranty	5 Years

## Typical Installation



Warranty: All products of the company are sold and all services of the company are offered subject to the company's warranty and terms and conditions of sale, copies of which will be furnished upon request. The information provided herein is for guidance only, it does not constitute a guarantee of the performance or specification of any individual product or component.

USA  
Xylem Inc.  
100 Cummings Center  
Suite 535N Beverly MA, 01915  
Tel: (978) 281-0440  
Fax: (978) 283-2619

UK  
Xylem Inc.  
Bingley Road, Hoddesdon  
Hertfordshire EN11 0BU  
Tel +44 (0) 1992 450145  
Fax +44 (0) 1992 467132

GERMANY  
Xylem Inc.  
Oststrasse 28  
22844 Norderstedt  
Tel +49-40-53 53 73-0  
Fax +49-40-53 53 73-11

CHINA  
Xylem Inc.  
32/F Tower A, Hongqiao City  
Centre of Shanghai, 100 Zunyi Road,  
Shanghai 200051, China  
Tel: (86) 21 2208 2888  
Fax: (86) 21 2208 2999

ITALY  
Xylem Inc.  
Via Tommaseo, 6  
20059 Vimercate, Milano  
Tel +39 039 685 2323  
Fax +39 039 666 307

[www.xylem.com](http://www.xylem.com)